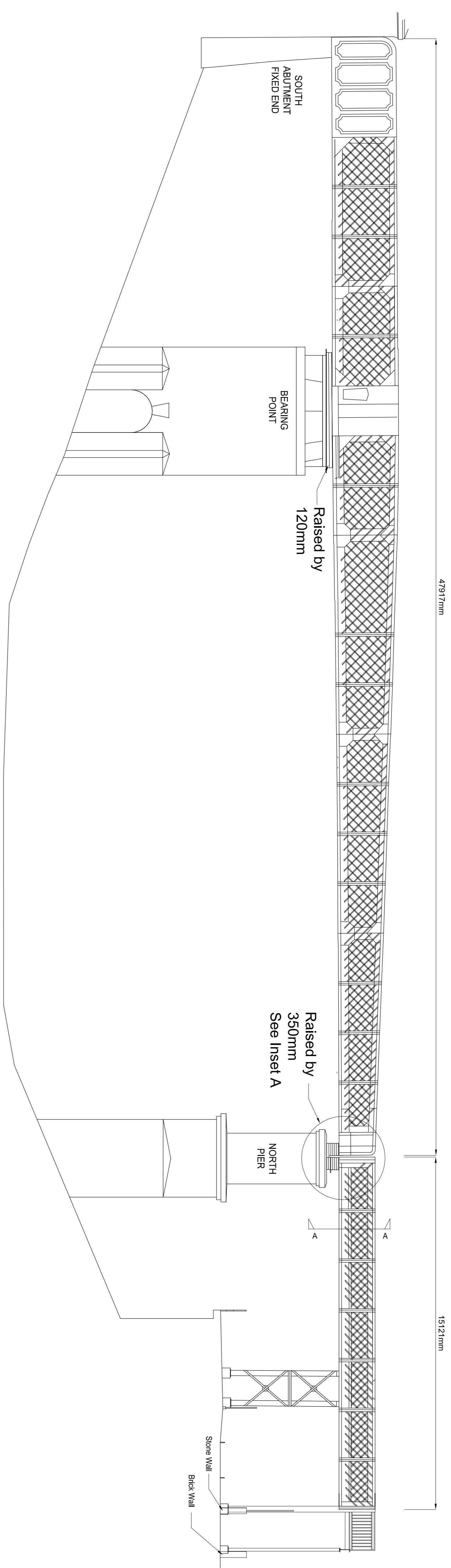
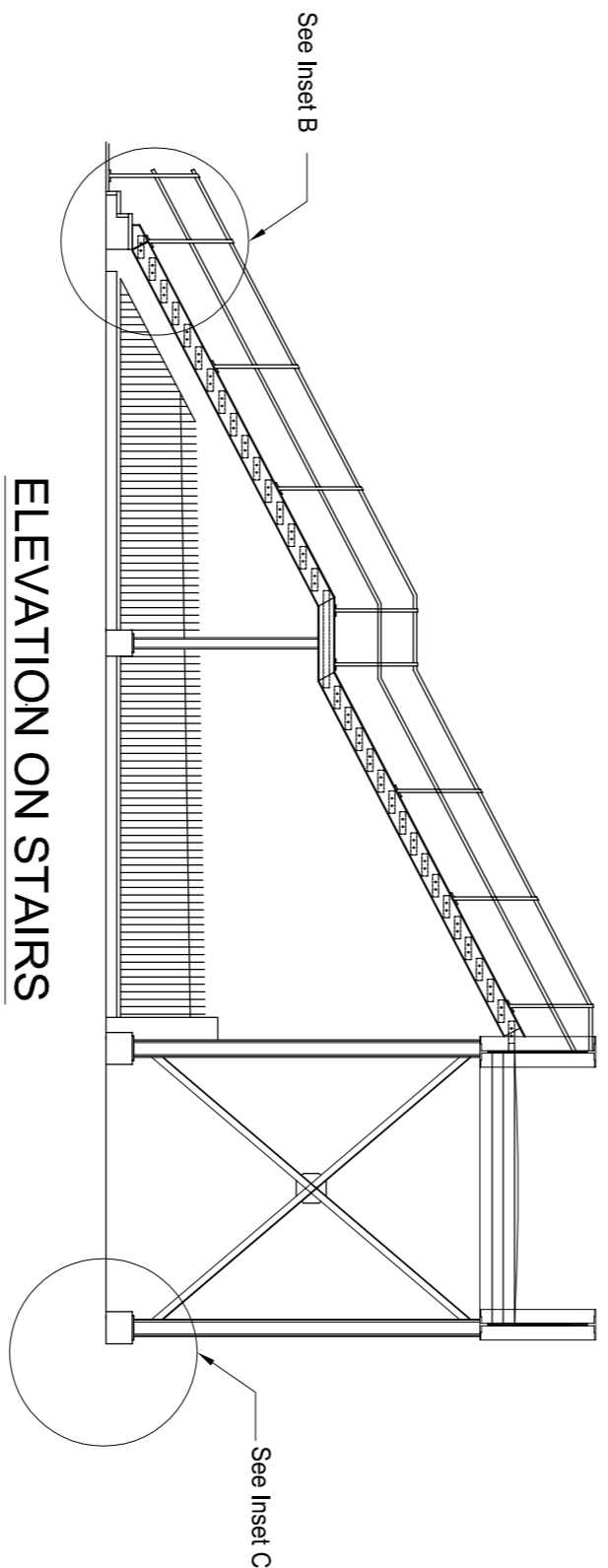


SOUTH

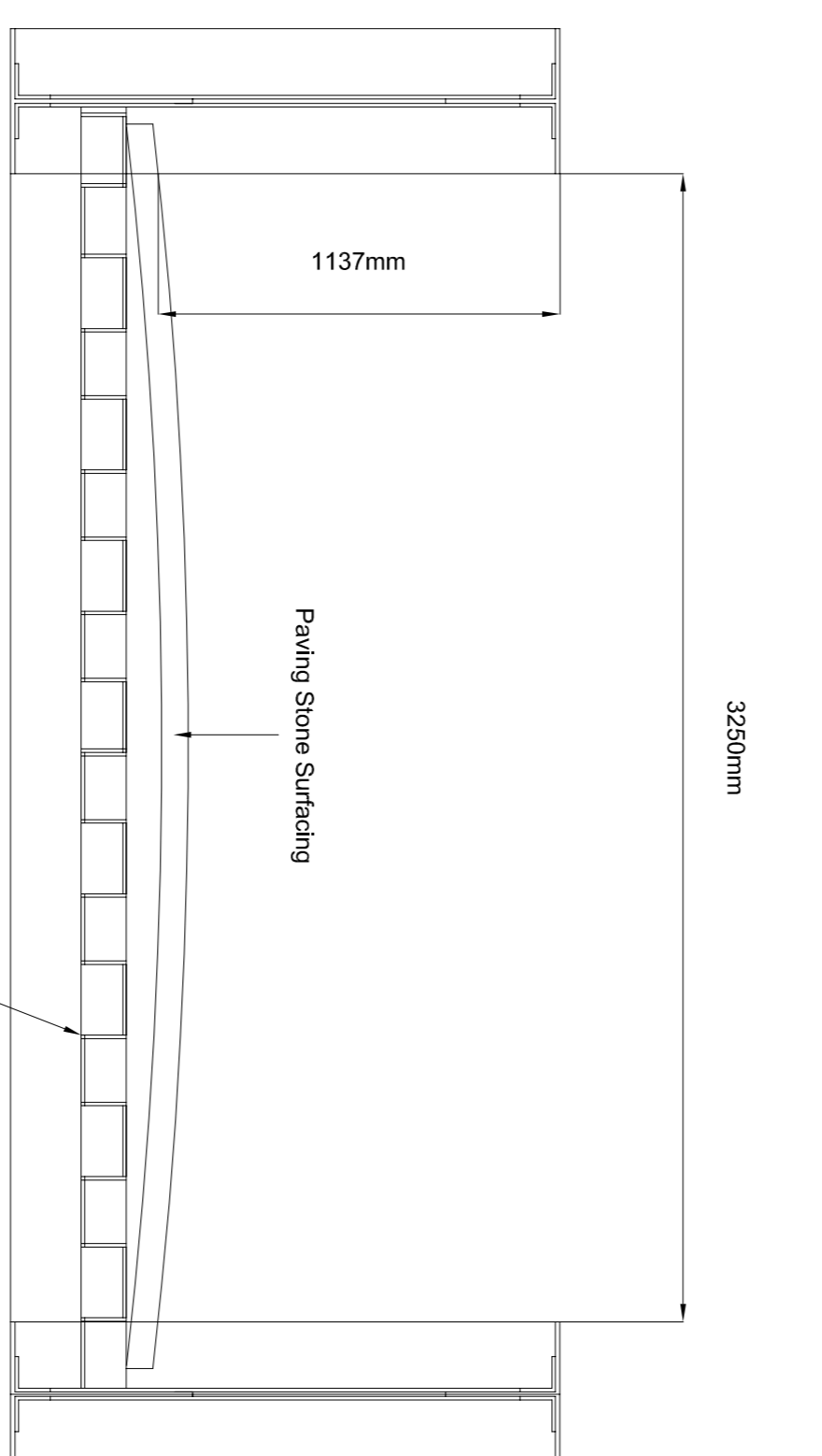
NORTH



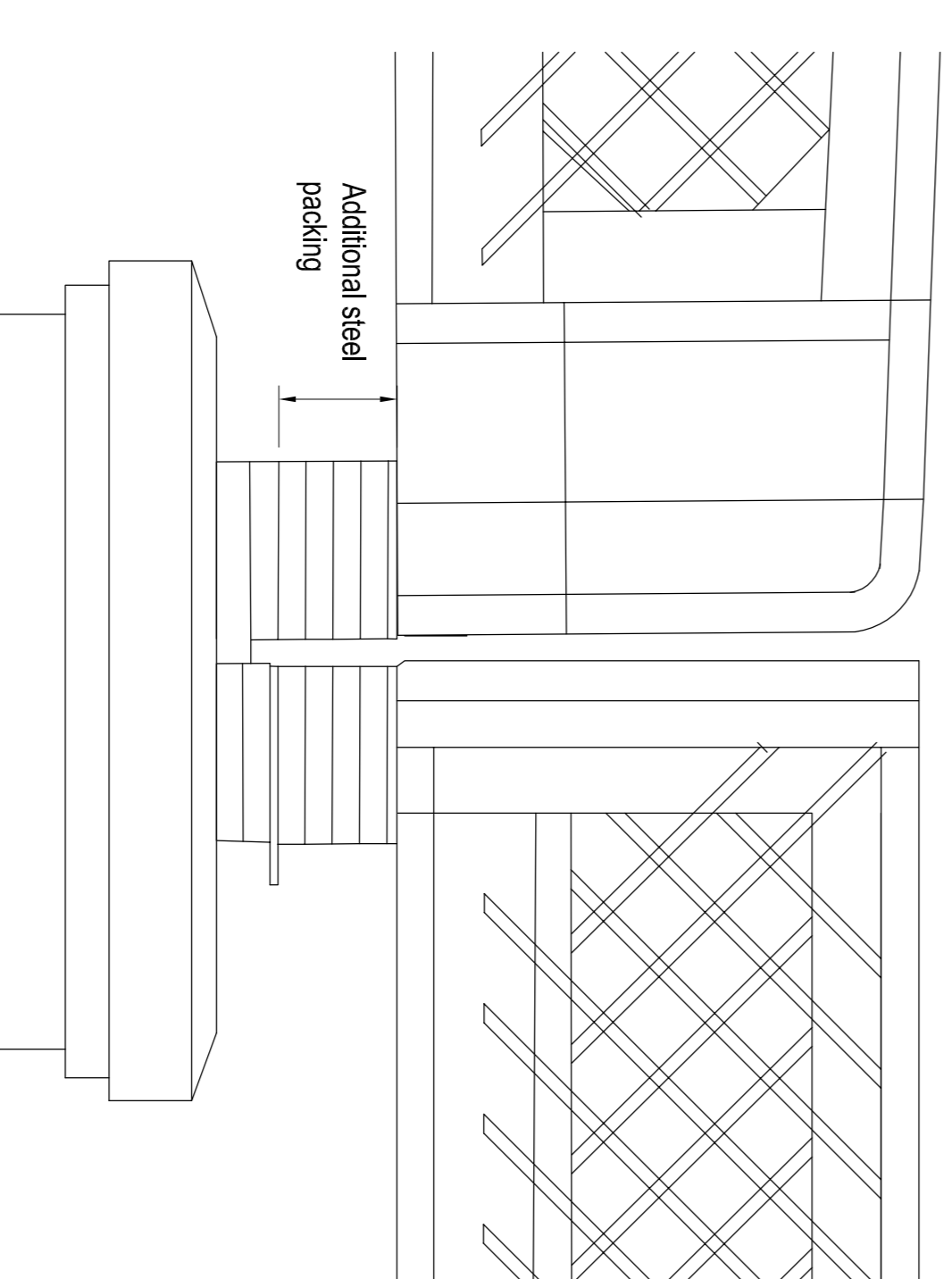
EAST ELEVATION  
SCALE 1:100



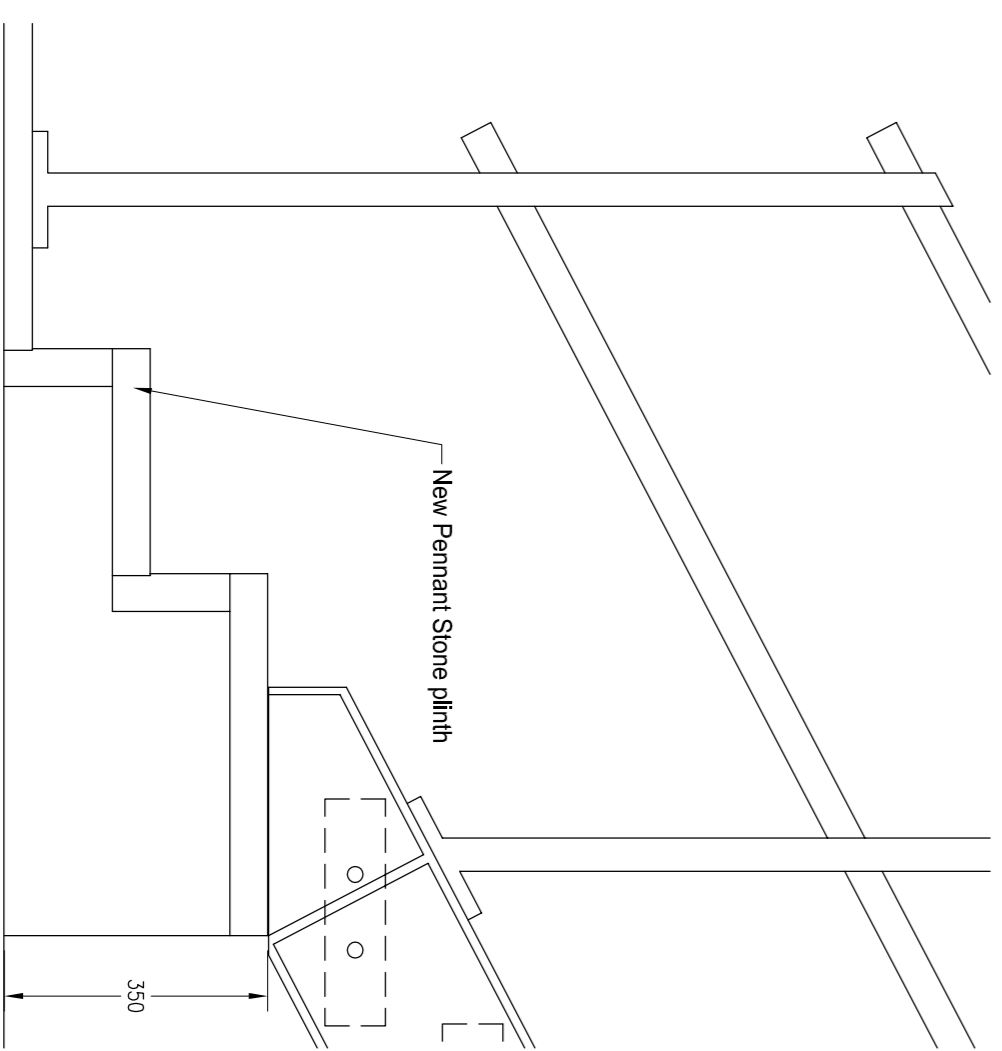
ELEVATION ON STAIRS  
SCALE 1:100



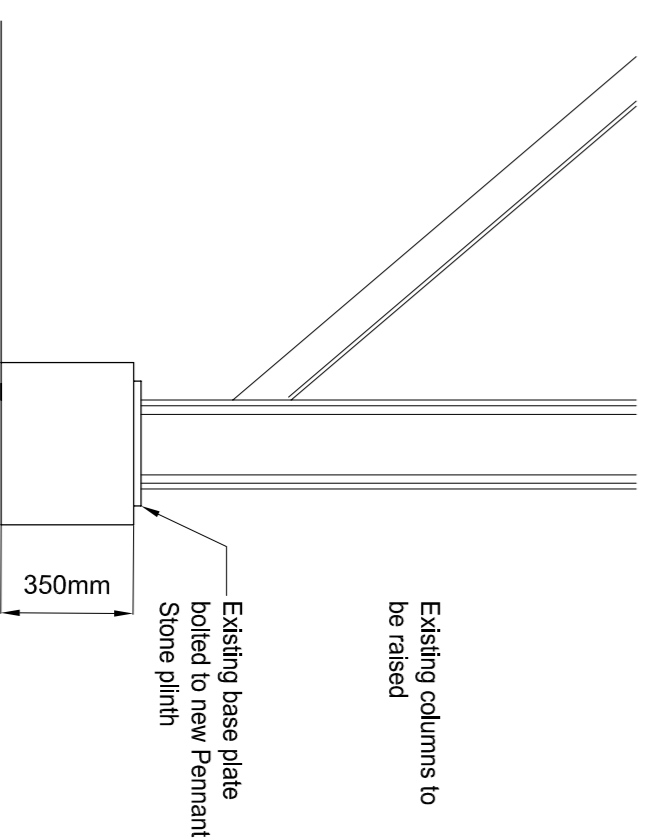
CROSS SECTION A - A  
SCALE 1:20



INSET A  
SCALE 1:20



INSET B  
SCALE 1:10



INSET C  
SCALE 1:20

PRELIMINARY

Notes:

1. All dimensions are in millimetres unless shown otherwise.
2. Levels are in metres A.O.D.
3. This drawing to be read in conjunction with the illustrative Corridor Section Design scheme drawings as below:
  - CTR ADU-0100-001 to 007;
  - CTR ADU-0110-001 to 007;
  - CTR ADU-0180-001 to 006;
  - CTR ADU-0200-008 to 017.
4. All new steelwork plates to be grade S355J0 to BS EN 10025.



Rev	By	Chkd	Appr'd	Date	Description

Client



**Halcrow Group Limited**  
 100 Chichester Way, Sussex PO19 1UH  
 Tel: +44 (0)1243 840000 Fax: +44 (0)1243 538105  
 Email: [info@halcrow.com](mailto:info@halcrow.com)  
[www.halcrow.com](http://www.halcrow.com)

**Halcrow**  
 Ashton Vale to Temple Meads  
 and Bristol city centre  
 Rapid Transit System

Project  
 Ashton Vale to Temple Meads  
 and Bristol city centre  
 Rapid Transit System

Drawing  
 Illustrative Corridor Section Design  
 Vauxhall Bridge Chainage 3795m  
 Proposed Layout  
 (Subject to Change)

Drawn by: ER  
 Checked by: RPB  
 Approved by: RPB  
 Drawing No: CTR ADU-1700-3795-03  
 Date: 12/03/10  
 Revision: -

Drawing Scale: As Shown @ A1